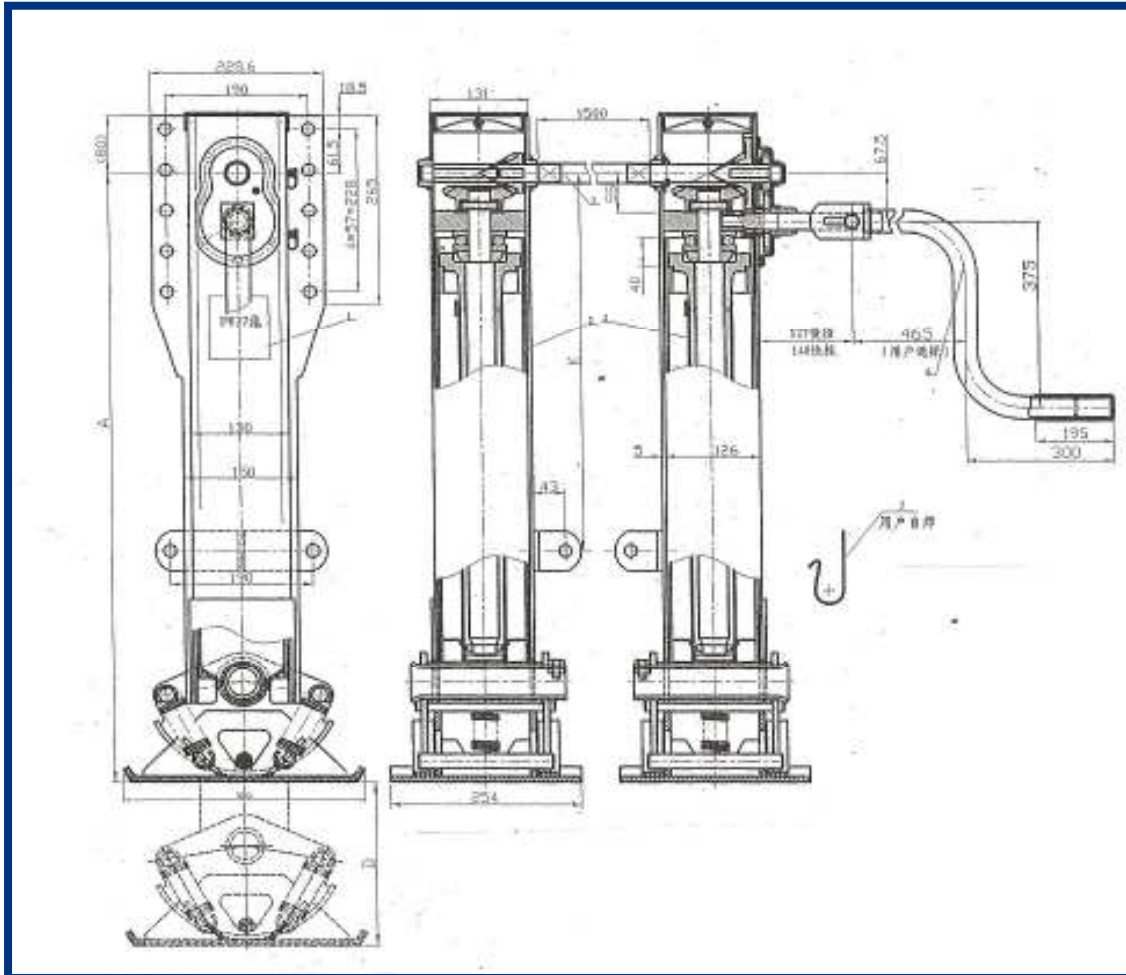


FW37000 SERIES LANDING LEG



Capacity	28,000 KG/PR
Static Load	60,000KG/PR
Weight	93 KGS approx
CRANK FORCE	
LOW GEAR	0.95mm per turn of handle (mm/r)
HIGH GEAR	8.5mm per turn of handle (mm/r)
One side op Crank force	210N

LANDING GEAR SPECIFICATIONS					LANDING GEAR SPECIFICATIONS				
Model	Type of Shoe	Lift D (mm)	Height A (mm)	K	Model	Type of Shoe	Lift D (mm)	Height A (mm)	K
FW3722A	A	560	937	680	FW3717A	A	430	807	480
FW3722G	G	560	893	680	FW3717G	G	430	763	480
FW3722R	R	560	920	680	FW3717R	R	430	790	480
FW3722S	S	560	945	680	FW3717S	S	430	815	480
FW3722T	T	560	917	680	FW3717T	T	430	787	480
FW3722LT	LT	560	856	680	FW3717LT	LT	430	726	480
FW3721A	A	520	897	580	FW3716A	A	400	777	430
FW3721G	G	520	853	580	FW3716G	G	400	733	430
FW3721R	R	520	880	580	FW3716R	R	400	760	430
FW3721S	S	520	905	580	FW3716S	S	400	785	430
FW3721T	T	520	877	580	FW3716T	T	400	757	430
FW3721LT	LT	520	816	580	FW3716LT	LT	400	696	430
FW3719A	A	470	847	530	FW3714A	A	350	727	380



If you have any questions or enquiries please
E-mail us at : capus@capus.co.uk

TEL 00 44 (0) 1795 420333
FAX 00 44 (0) 1795 424324