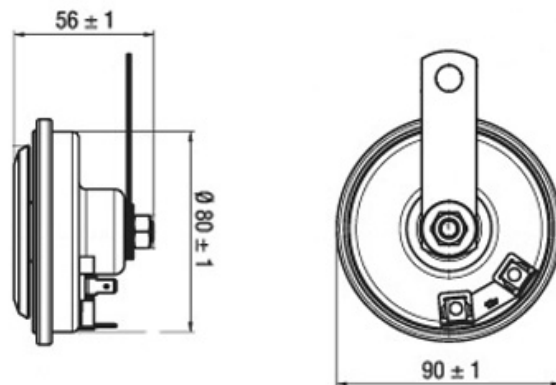


K91EM MULTI VOLTAGE ELECTRONIC HORN



Technical drawing



Description

Electronic disc horn with high output. It is hermetically sealed and does not need any adjustment. The model has been approved in accordance with EC regulations concerning electromagnetic compatibility, as well as UL norms. It does not cause any electromagnetic interference and has been tested to withstand 1.000.000 cycles. It can be used at various voltages, from 12 to 80 volt. Thanks to its special features, it is highly used on lift truck original equipment.

Technical specifications

		K91EM-H
Nominal Voltage	V	12÷80
Absorbed current	A	0,7
Sound Level at 2 m	dB(A)	110
Fundamental Frequency	Hz	410 ± 5%
Type of sound		high
Impulse functioning	Hz	
Reliability		1000000 cycles (1" on - 4" off)
Protective coating for metallic parts		Cr3 iridescent white zinc-coating
Operating Temperature	°C	-20 +80
Type-approvals		CE - UL file n. AU5014
Main use		Lift trucks

This hooter is also available with a 3-pin faston connection.

Photo details



Package sizes

		SINGLE BOX
Package size	mm	110x95x70(h)
Product weight including package	kg	0,34
Outer package size	mm	370x310x230(h)
Quantity per outer package	nr	30
Outer package weight including products	kg	11,2
Outer package volume	m3	0,0264

Packaging

